

I/O PIN ASSIGNMENTS

J1: DA 3W3P

- J1 - A1 AC-1
- J1 - A2 AC-2
- J1 - A3 Chassis Gnd.

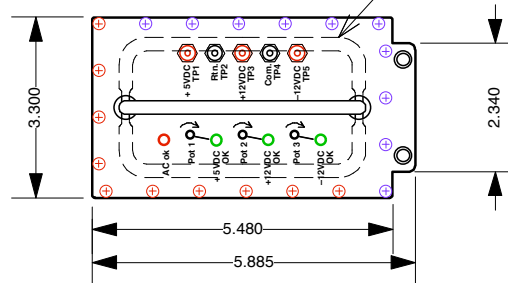
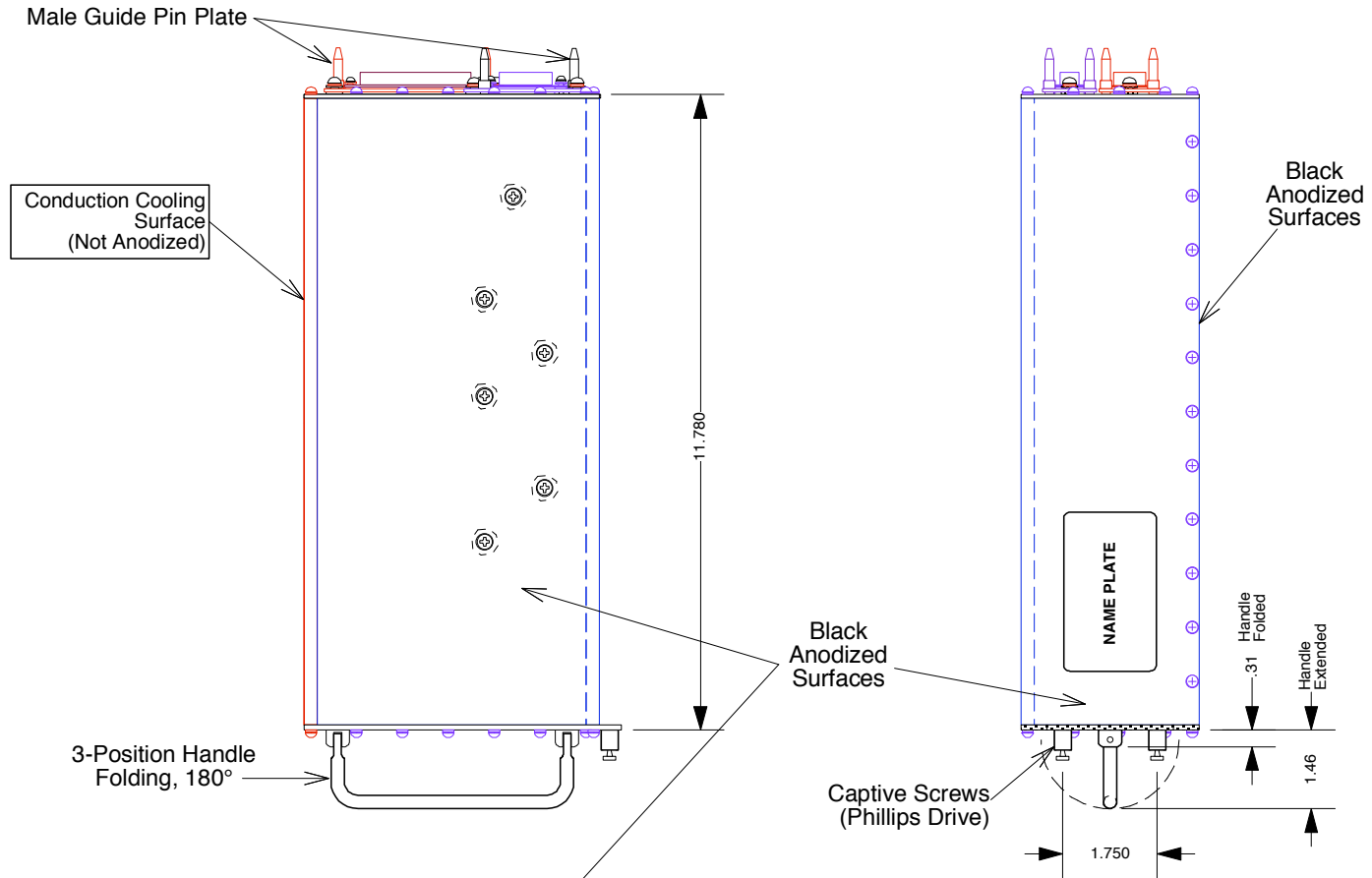
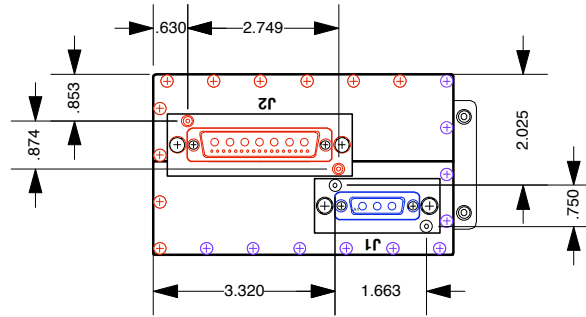
J2: DD 24W7 S

- J2 - A1 +5VDC
- J2 - A2 +5VDC
- J2 - A3 +5VDC RTN.
- J2 - A4 +5VDC RTN.
- J2 - A5 +12VDC
- J2 - A6 +12/-12VDC Common
- J2 - A7 -12VDC

- J2 - 1 PSU Status
- J2 - 2 PSU Status Rtn
- J2 - 3 No Connection
- J2 - 4 No Connection
- J2 - 5 No Connection
- J2 - 6 +5VDC SENSE
- J2 - 7 +5VDC SENSE RTN.
- J2 - 8 No Connection
- J2 - 9 No Connection
- J2 - 10 No Connection
- J2 - 11 No Connection
- J2 - 12 No Connection
- J2 - 13 No Connection
- J2 - 14 CURRENT SHARE
- J2 - 15 CURRENT SHARE RTN.
- J2 - 16 OVER TEMP
- J2 - 17 OVER TEMP RTN.

POWER DRAWER WEIGHT: < 9.0 lbs. (< 4.1 kgs.)

REVISIONS			
REV.	DESCRIPTION	DATE	APPROVED
-	AS PER E.C.O.# VPCT-282	16 SEP. 05	S. H.
A	AS PER E.C.O.# VPCT-425		



<i>Viable Power Conversion Technologies Inc.</i>					
DRAWN: M. Zadah		DWG. NAME:			
DATE: 28 APR. 2004		VME 500 POWER DRAWER LAYOUT			
CHKD:		CAGE: 3AJ03		DWG. No.:	REV.:
DATE:				VOI 98012-02	A
APPVD:		SCALE: 1:3.5		SHEET:	
DATE:				1 of 1	