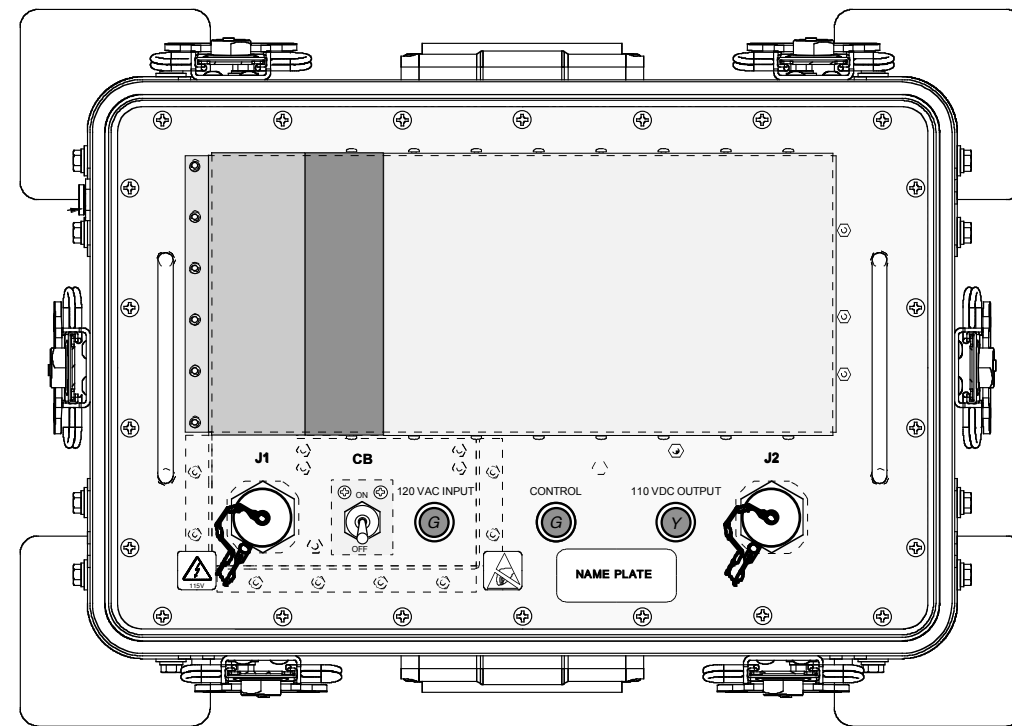


" J1 " (INPUT) D38999/24FE6PN	
A	120 VAC-1 (BLK)
B	120 VAC-2 (WHT)
C	SPARE
D	SPARE
E	SAFETY GROUND (GRN)
F	SPARE

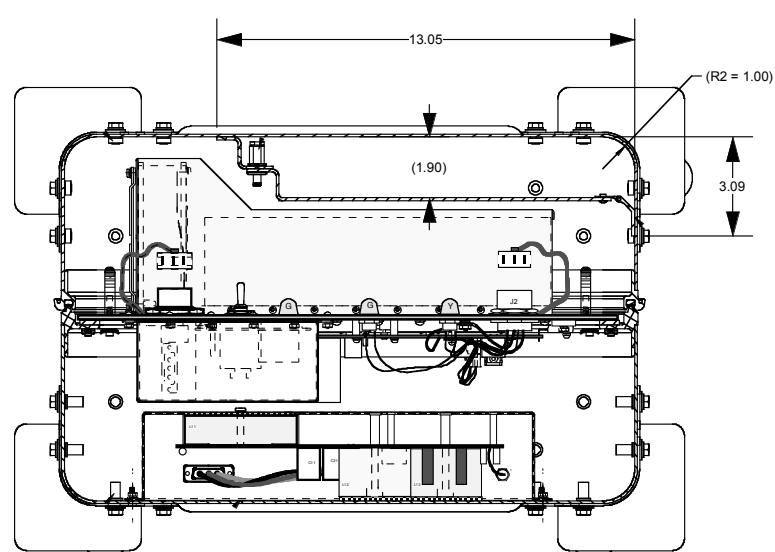
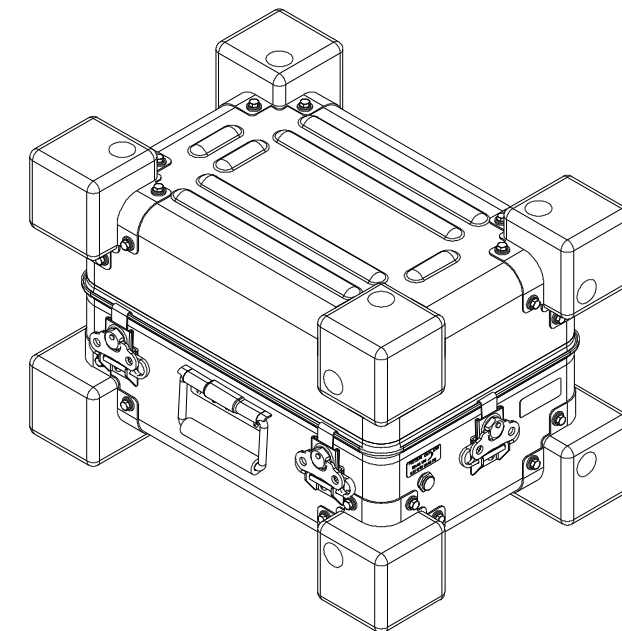
" J2 " (OUTPUT) D38999/24FD97SN	
A	(-) CONTROL
B	SPARE
C	(-) 110 VDC RTN.
D	SPARE
E	SPARE
F	SPARE
G	(+) 110 VDC
H	SPARE
J	SPARE
K	(+) CONTROL
L	SPARE
M	SAFETY GROUND (GRN)

WEIGHT ≤ 48 LBS.

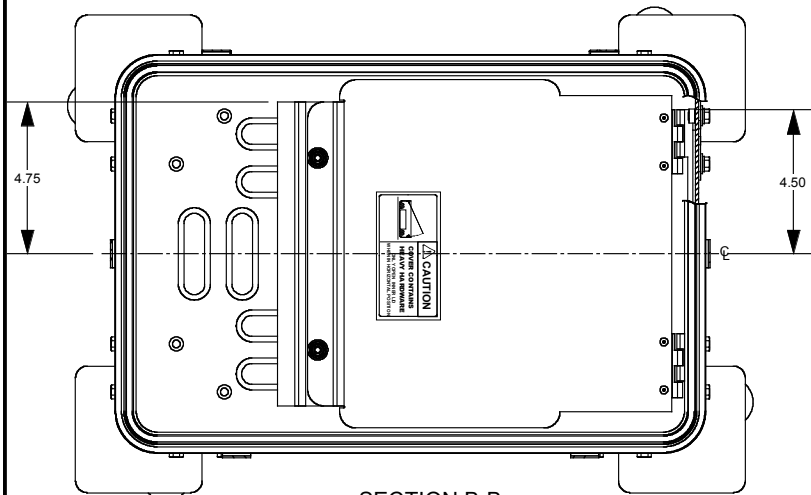
REVISIONS			
REV.	DESCRIPTION	DATE	APPROVED
-	AS PER ECO# VPCT-382	3 NOV. 05	S.H.
A	AS PER ECO# VPCT-419	18 JAN. 06	S.H.
B	AS PER ECO# VPCT-462		



SECTION A - A

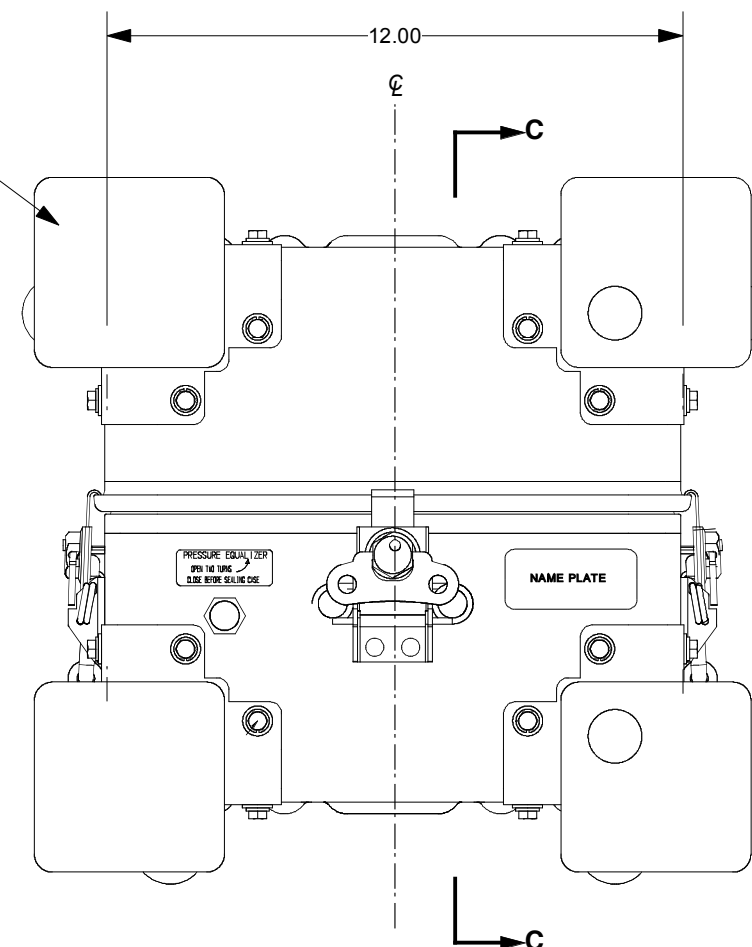
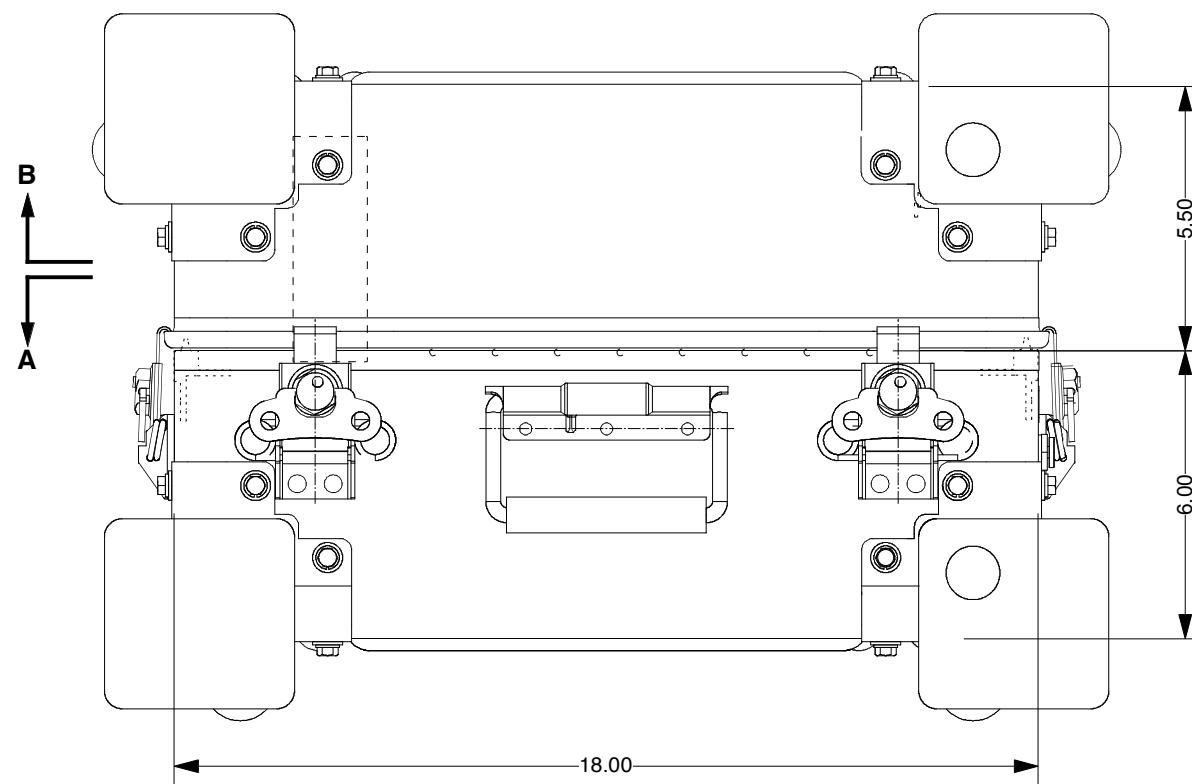


SECTION C-C
SCALE 1:6



SECTION B-B
SCALE 1:6

ZERO - CASE ASSEMBLY WITH BUMPERS
P/N: 10-127272 REV_A



UNLESS OTHERWISE SPECIFIED
DIMENSIONS IN INCHES.
TOLERANCES ON:
Hole Diam ± .003 Angles ± 2°
Decimals .XXX ± .005
.XX ± .02

Viable Power Conversion Technologies Inc.			
DRAWN: M. Zadah	DATE: 31 OCT. 2005	DWG. NAME: BPS - 110V DC PSU LAYOUT	
CHKD:	DATE:	INPUT: 120 VAC, 60 Hz 1Ø OUTPUT: 110VDC, 820W	
APPVD:	DATE:	CAGE: 3A J03	DWG. No.: VOI 05020-00
SIZE: B	SCALE: 1:4	REV.: B	SHEET: 1 of 1