

REVISIONS			
REV.	DESCRIPTION	DATE	APPROVED
-	AS PER E.C.O.# VPCT-484	26 MAY.06	S. H.
A	AS PER E.C.O.# VPCT-495		

AC INPUT (J1): D38999/24WC98PA		WIRE COLOR
J1 - A	Neutral (ETI)	WHT
J1 - B	n/c	
J1 - C	115Vac - ØA	BLK
J1 - D	n/c	
J1 - E	115Vac - ØB	BLU
J1 - F	n/c	
J1 - G	115Vac - ØC	RED
J1 - H	n/c	
J1 - J	Safety Ground	GRN
J1 - K	n/c	

FAN1 OUTPUT (J3): MOLEX: 43020-0400*		WIRE COLOR
J3 - 1	FAN1-ØA	BLK
J3 - 2	FAN1-ØB	BLU
J3 - 3	FAN1-ØC	RED

FAN2 OUTPUT (J4): MOLEX: 43020-0400*		WIRE COLOR
J4 - 1	FAN2-ØA	BLK
J4 - 2	FAN2-ØB	BLU
J4 - 3	FAN2-ØC	RED

FAN3 OUTPUT (J5): MOLEX: 43020-0400*		WIRE COLOR
J5 - 1	FAN3-ØA	BLK
J5 - 2	FAN3-ØB	BLU
J5 - 3	FAN3-ØC	RED

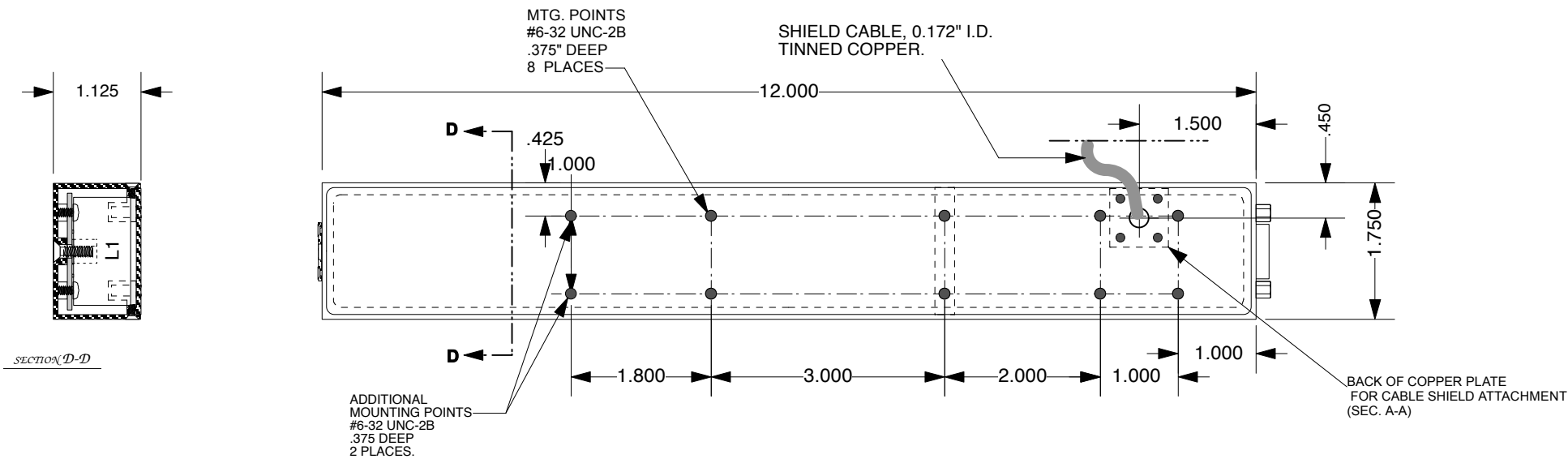
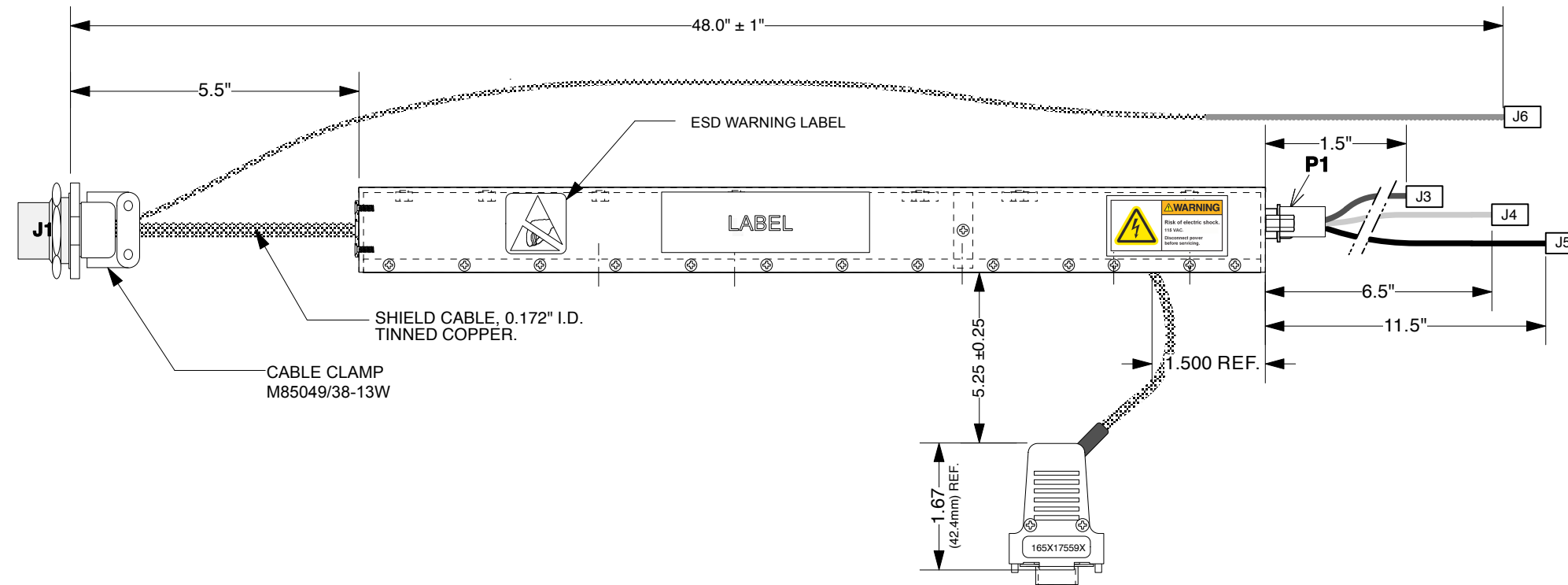
(*) MOLEX CONTACT: 43031-0008

ETI OUTPUT (J6): MOLEX: 43020-0200*		WIRE COLOR
J6 - 1	ETI_N	WHT
J6 - 2	ETI_A	BLK

AC OUTPUT (J2): DEA9SA197F0		WIRE COLOR
J2 - 1	115Vac - ØA	BLK
J2 - 2	115Vac - ØB	BLU
J2 - 3	115Vac - ØC	RED
J2 - 4	n/c	
J2 - 5	Chassis	GRN
J2 - 6	n/c	
J2 - 7	n/c	
J2 - 8	n/c	
J2 - 9	n/c	

S1: D54409S
P1: DEA9PK87F0

ALL CABLES WILL CONTAIN M22759/11-20-X CONDUCTORS.



Viable Power Conversion Technologies Inc.					
DRAWN:	M. Zadah	DWG. NAME:	470W EMI FILTER LAYOUT		
DATE:	23 MAY 2006				
CHKD:					
DATE:					
APPVD:					
DATE:					
SIZE:	A	SCALE:	1:2	CAGE:	3AJ03
		DWG. No.:	VOI 03142 - 02	REV.:	A
				SHEET:	1 of 1