

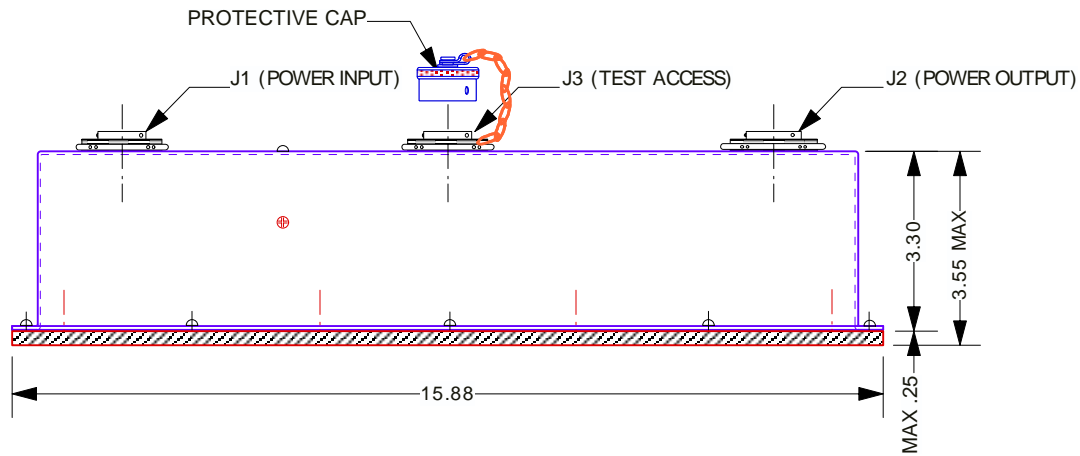
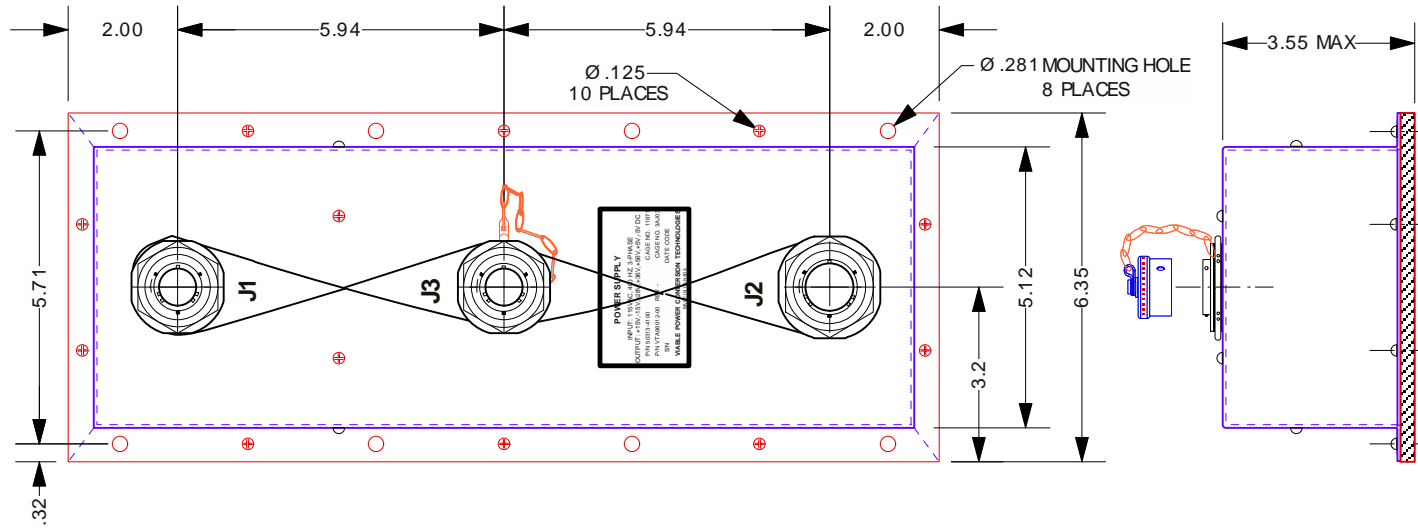
I/O PIN ASSIGNMENTS.

AC INPUT	
(J1): MS27474E14B5P	
J1 - A	115VAC
J1 - B	115VAC
J1 - C	115VAC
J1 - D	NEUTRAL
J1 - E	CHASSIS GND

DC OUTPUT	
(J2): MS27474E16B8S	
J2 - A	+28 VDC
J2 - B	+48 VDC
J2 - C	+48 VDC
J2 - D	+48 VDC
J2 - E	+48 VDC RTN
J2 - F	+48 VDC RTN
J2 - G	+28 VDC RTN
J2 - H	GND

TEST ACC.	
(J3): MS27474E14B15S	
J3 - A	INPUT RECTIFIED DC *
J3 - B	-INPUT RECT. DC RTN.*
	-INPUT U.V.*
	-INPUT O.V. RTN.*
J3 - C	OUTPUT RTN
J3 - D	OUTPUT O.V.
J3 - E	P. S. O. T.
J3 - F	SCALED +48 VDC
J3 - G	SCALED +28 VDC
J3 - H	INPUT U. V.*
J3 - K	INPUT O. V.*
J3 - J	O.V. TEST

* N.B. Primary side live.



WEIGHT: < 7.9 lbs. (< 3.6 kgs.)

<i>Viable Power Conversion Technologies Inc.</i>		3AJ03		
DRAWN:	M. ZADAH	115V L-N 400Hz 3Ø 1200W AC to DC PSU +48V @ 20.8A, +28V @ 7.1A		
DATE:	2 MAR. 99			
CHKD:				
DATE:				
APPVD:		size A		
DATE:				
Scale 1 : 3		Sheet 1 of 1	Dwg. No.: VOI 98021-00	Rev. -

This Drawing contains trade secrets and/or confidential information ("Proprietary Information") of Viable Power Conversion Technologies ("VPCT") which, if disclosed, could cause financial loss to, or prejudice the competitive position of, VPCT. The Proprietary Information shall not be used for any purpose other than the evaluation of this proposal. Disclosure of or access to such Proprietary Information may not be made or given to third parties without VPCT's prior written consent.